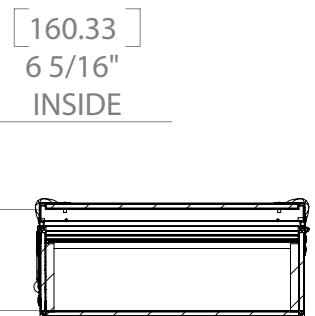
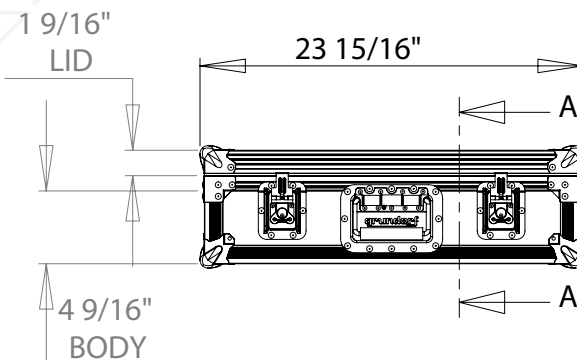
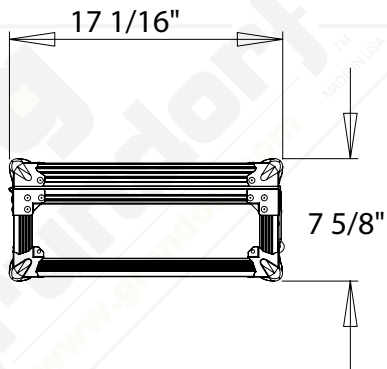
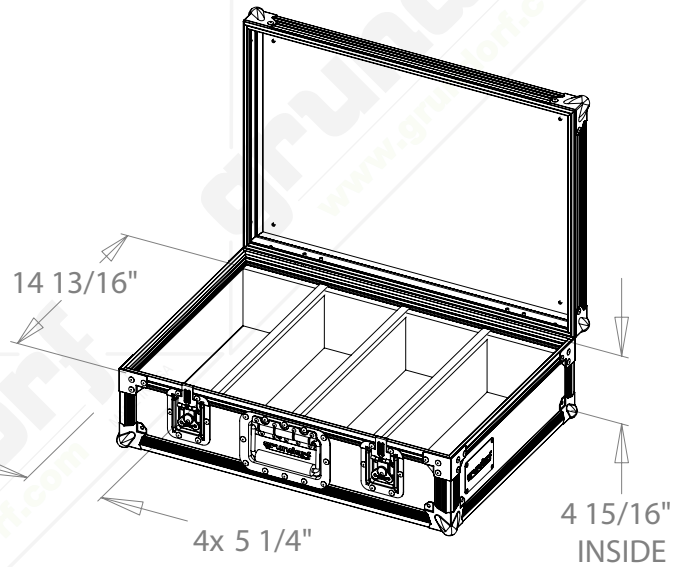
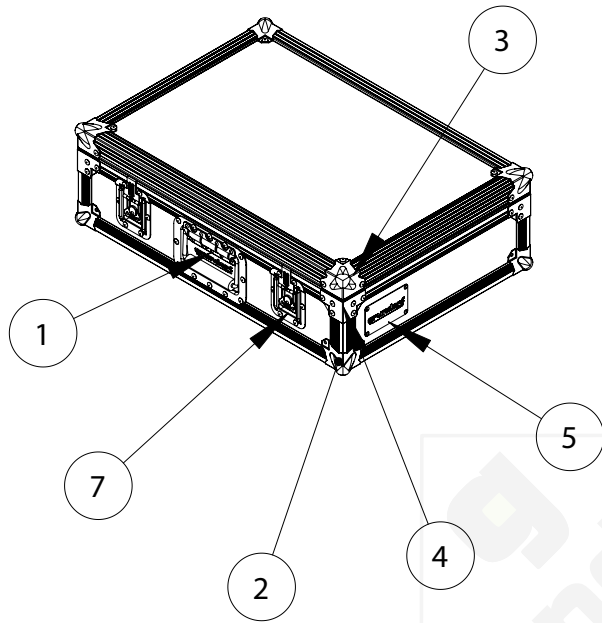


#	QTY	PART NUMBER	DESCRIPTION
1	1	31-005	HANDLE - RECESSED/LOGO/ZINC
2	4	32-017	CORNER - BALL/WITH CLAMP/ZINC
3	4	32-018	CORNER - BALL W/BRACE/OFFSET
4	4	35-007	CLAMP - SMALL/OFFSET
5	1	83-011	BADGE - GRUNDORF TOUR 4 SERIES
6	2	33-013	HINGE-TAKE APART/SMALL/ZINC
7	2	34-009	CATCH - VALANCE SPANNER



SECTION A-A  
SCALE 1 : 12